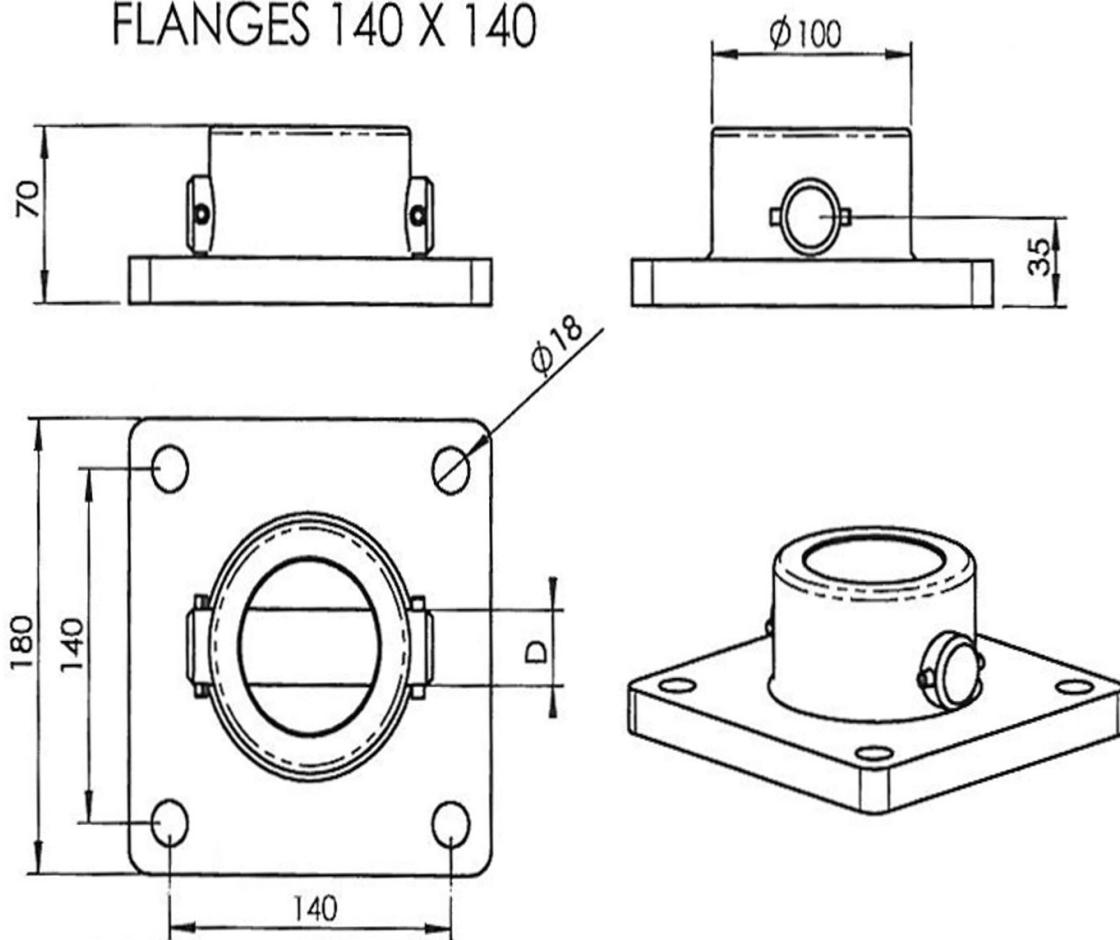


## OPTIONAL EQUIPMENTS FOR ROTATORS

### FLANGES 140 X 140



Flanges 140 x 140		
Item	Name	Dimension D
01398	Flange FR10 140x140d25 + pin	25
01399	Flange FR10 140x140d30 + pin	30
01571	Flange FR15 140x140d30 + pin	30